

KBZ®

www.folangsiforklift.com

ELECTRIC PALLET TRUCK 电动托盘搬运车

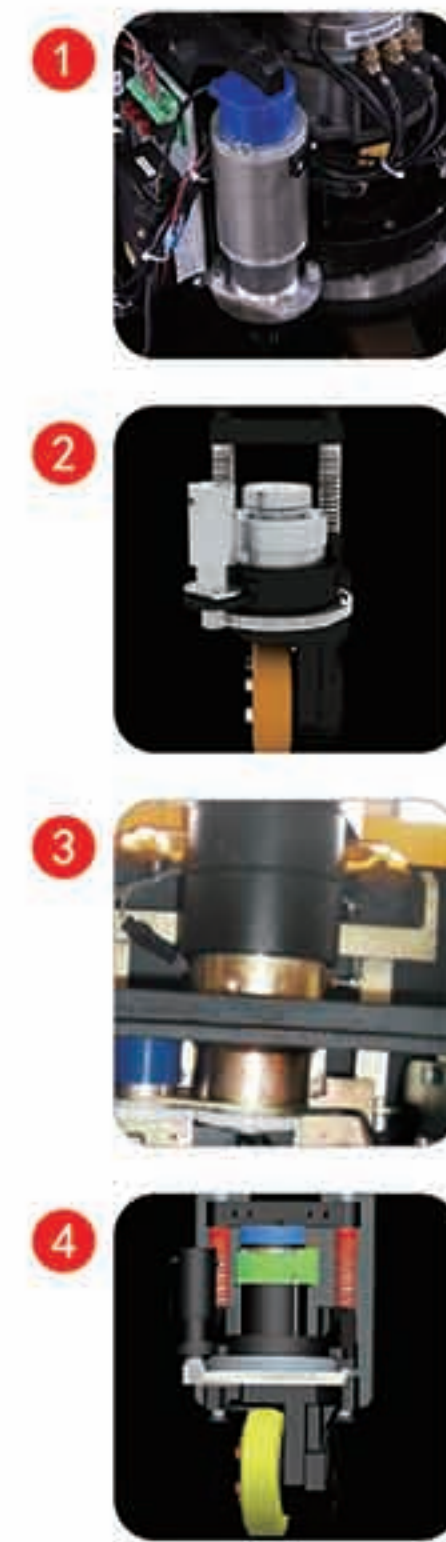
KBZ KBZ KBZ KBZ KBZ KBZ KBZ KBZ KBZ KBZ KBZ KBZ KBZ

CBD20-TD

AC 2000-3000 Kg

- ▶ 1.AC vertical driving motor reduces the failure rate and saves maintenance cost.
- ▶ 2.Electronic power steering system(EPS) for flexible and light turning improves the stability of electrical system.
- ▶ 3.Electronic reverse system guarantees operation safety,save the electric energy and protect hydraulic unit.
- ▶ 4.Pressurized vibration damping reduces the wheel skidding problems and increases operating comfort.

- ▶ 1. AC 电机，立式驱动，减少故障发生率，节约维护成本；
- ▶ 2. 电子助力转向（EPS），转弯灵活、轻便，提高电气系统稳定性；
- ▶ 3. 电子退位系统，保障作业安全，节约电能，保护液压装置；
- ▶ 4. 增压减震，减少驱动轮打滑现象，增加操作舒适度；



Electric Pallet Truck Expert

KBZ®

www.folangsiforklift.com

ELECTRIC PALLET TRUCK 电动托盘搬运车

KBZ® KBZ® KBZ® KBZ® KBZ® KBZ® KBZ® KBZ® KBZ® KBZ® KBZ® KBZ®

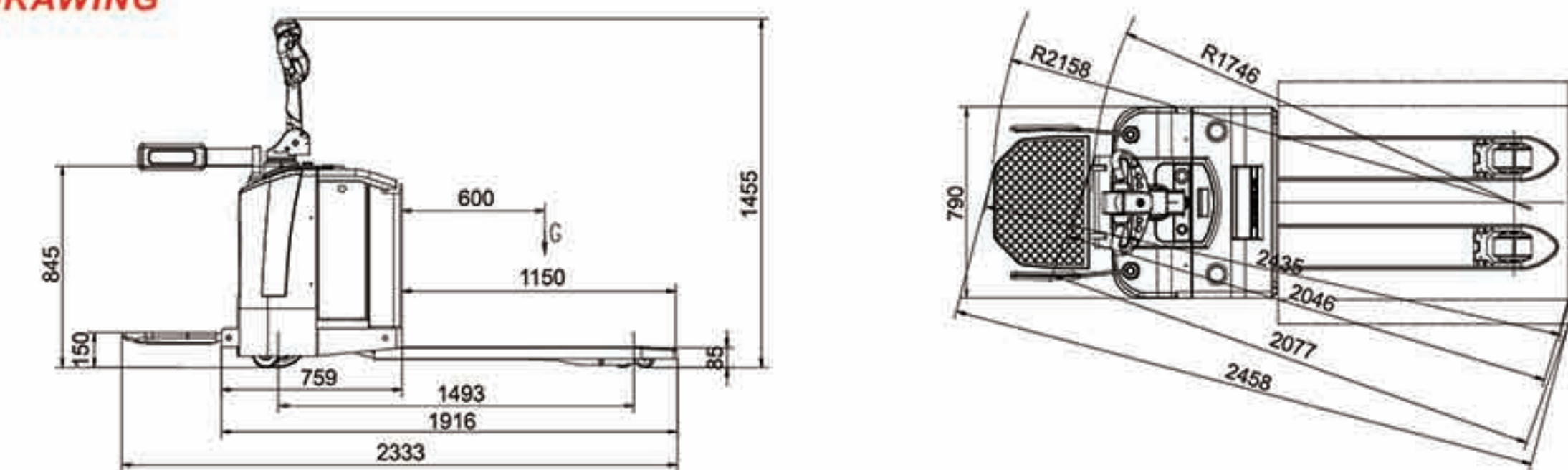
SPECIFICATION

详细说明

	Unit	
Feature 特性	Model 型号	CBD20-TD
	Configuration No. 配置号	460
	Load capacity 额定载重	kg 2000-3000
	Load center 载荷中心距	mm 600
Wheels 车轮	Wheel basenter 轴距	mm 1493
	Operating type 操作类型	Walkie/Stand On
	Wheels type 车轮类型(前/后)	PU
	Wheel quantity Driving wheel/Balance wheel/Bearing wheel 驱动轮/平衡轮/承重轮数量	1/2/4
Demension 尺寸	Driving wheel size 驱动轮尺寸	mm $\phi 248 \times 75$
	Bearing wheel size 承重轮尺寸	mm $\phi 80 \times 80$ (Double Pulley)
	Balance wheel size 平衡轮尺寸	mm $\phi 115 \times 55$
	Lowered fork height 货叉最低离地高度	mm 85
	Max. lifting height 货叉最大起升高度	mm 205
	Max. lifting Route 最大起升行程	mm 120
	Outside width between forks 货叉外侧间隙	mm 550/600/685
	Fork Length 货叉长度	mm 1150/1200
	Fork width 货叉宽度	mm 185
	Fork thickness 货叉厚度	mm 55
	Overall length 整车全长,踏板收起/放下	mm 1916/2333
	Overall width 车体宽度	mm 790
	Overall height(with handle) 整车高度(含手柄)	mm 1455
	Overall height(without handle) 整车高度(不含手柄)	mm 845
Performance 性能	Min.Turning radius 最小转弯半径 踏板收起/放下	mm 1746/2158
	Min.Aisle width for pallets 800 x 1200	mm 2046/2435
	Min.Aisle width for pallets 1000 x 1200	mm 2077/2458
	Travel speed,laden/unladen 最大行驶速度 满载/空载	km/h 6/6
Electrical configuration 电气配置	Lift speed,laden/unladen 最大起升速度 满载/空载	mm/s 56/60
	Travel speed,laden/unladen 最大下降速度 满载/空载	mm/s 57/59
	Gradeability,laden/unladen 爬坡速度 满载/空载	% 5/7
	Drive motor 驱动电机	KW DC 1.5
Weight 重量	Lift motor 起升电机	KW DC 2.0
	Steering motor 转向电机	KW DC 0.15
	Battery voltage/capacity 蓄电池电压/容量	V/Ah 24/270
	Brake 制动	Electromagnetic/Regenerative
	Controller 控制器	CURTIS
	Battery weight 蓄电池重量	kg 252
	Service weight with battery 自重(包含蓄电池)	kg 840

DIMENSION DRAWING

外形尺寸图



FOLANGSI MACHINE CO., LTD.

Tel.:020-39993595 Fax:020-39993597

E-mail:admin@folangsiforklift.com

KBZ®