

KBZ®

www.folangsiforklift.com

ELECTRIC STACKER 电动托盘堆垛车

KBZ® KBZ® KBZ® KBZ® KBZ® KBZ® KBZ® KBZ® KBZ® KBZ® KBZ® KBZ®

CDD10-IP 窄腿

DC 1000 Kg (起升高度: 1600-1950mm)

CONFIGURATION AND PERFORMANCE

- ▶ Separately excited motor, Strong climbing ability.
- ▶ High strength forks.
- ▶ Built-in charger is standard.
- ▶ Automatic lifting limit, proximity switch, long life.

SAFETY

- ▶ Stepless speed control system, safe and quiet.
- ▶ Controller with Multiple automatic protection.
- ▶ Emergency reversing device/Emergency brake switch.

配置和性能

- ▶ 他励驱动电机, 爬坡力强;
- ▶ 高强度货叉
- ▶ 标配内置充电机;
- ▶ 起升自动限位, 长寿命接近开关。

安全

- ▶ 驱动无级调速, 安全、静音;
- ▶ 控制器多重自动保护系统;
- ▶ 紧急反向装置 / 紧急制动开关。



Electric Pallet Truck Expert

KBZ®

www.folangsiforklift.com

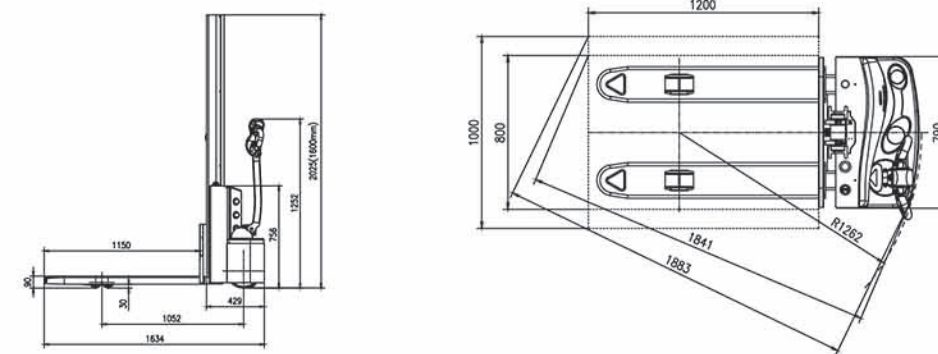
ELECTRIC STACKER 电动托盘堆垛车

KBZ® KBZ® KBZ® KBZ® KBZ® KBZ® KBZ® KBZ® KBZ® KBZ® KBZ® KBZ®

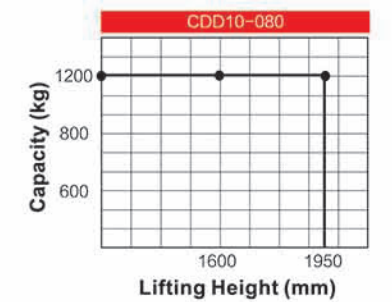
SPECIFICATION 详细说明

	Unit			
特性	Model 型号	CDD10-IP		
	Configuration No. 配置号	080		
	Type 类型	Narrow legs		
	Mast type 门架类型	Single-stage		
	Load capacity 额定载重	kg	1000	
	Load center 载荷中心距	mm	600	
	Wheel base 轴距	mm	1052	
	Operating type 操作类型		Walkie	
	Wheels type 车轮类型(前/后)		PU	
	Wheel quantity 驱动轮/平衡轮/Bearing wheel 驱动轮/平衡轮/承重轮数量		1/1/4	
尺寸	Standard lift height 标准门架起升高度	mm	1600/1950	
	Max extend height 门架作业时整车最大高度	mm	1985/2335	
	Mast lowered height 门架缩回时整车静态高度	mm	2065/2240	
	Lowered fork height 货叉最低高度	mm	90	
	Fork size(length/width/thickness) 标准货叉规格(长/宽/厚)	mm	1150(1220)/185/55	
	Overall length 整车全长 踏板收起/放下	mm	1634	
	Overall width 车体宽度	mm	790	
	Outside width between forks 货叉外侧间隙	mm	550/600/650/685	
	Inside width between forks 货叉内侧间隙	mm	180/230/280/315	
	Min.Turning radius 最小转弯半径 踏板收起/放下	mm	1262	
性能	Min.Aisle width for pallets 800 x 1200 最小直角堆垛通道宽度	mm	1841	
	Min.Aisle width for pallets 1000 x 1200 最小直角堆垛通道宽度	mm	1883	
	Min.ground clearance 最小离地间隙	mm	30	
	Travel speed,laden/unladen 最大行驶速度 满载/空载	km/h	3/3.5	
	Lift speed,laden/unladen 最大起升速度 满载/空载	mm/s	130/230	
	Travel speed,laden/unladen 最大下降速度 满载/空载	mm/s	130/230	
	Gradeability,laden/unladen 爬坡速度 满载/空载	%	5/7	
	电气配置	Drive motor 驱动电机	KW	DC0.63
		Steering motor/Lift motor 转向电机/起升电机	KW	DC2.0
		Battery voltage/capacity 蓄电池电压/容量	V/Ah	24/70
Brake 制动			Electromagnetic/Regenerative	
Controller 控制器型号			HELI	
重量	Battery weight 蓄电池重量	kg	48	
	Service weight with battery 自重(包含蓄电池)	kg	460	

外形尺寸图 DIMENSION DRAWING



载重曲线图 LOAD CURVE



FOLANGSI MACHINE CO., LTD.

Tel.:020-39993595 Fax:020-39993597

E-mail:admin@folangsiforklift.com

KBZ®